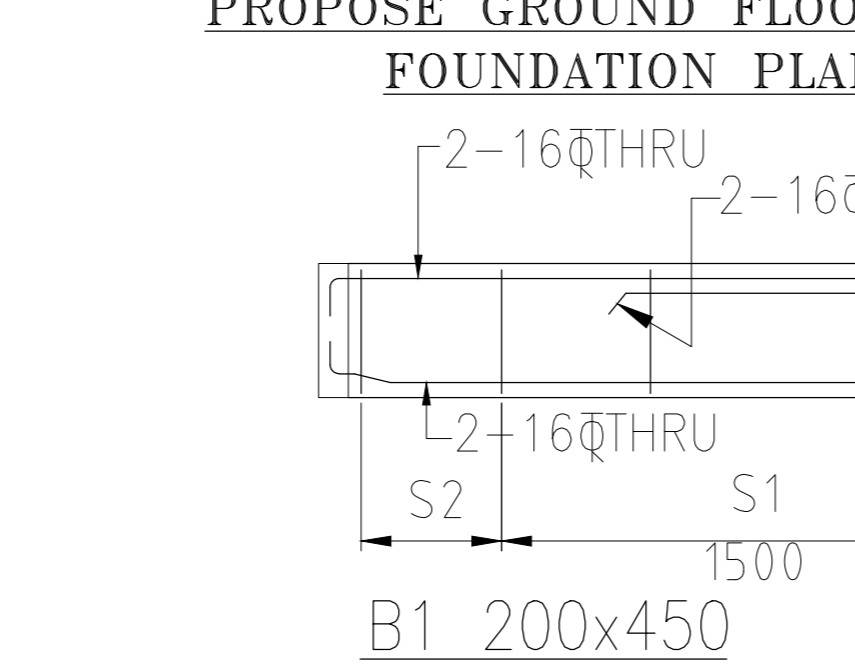
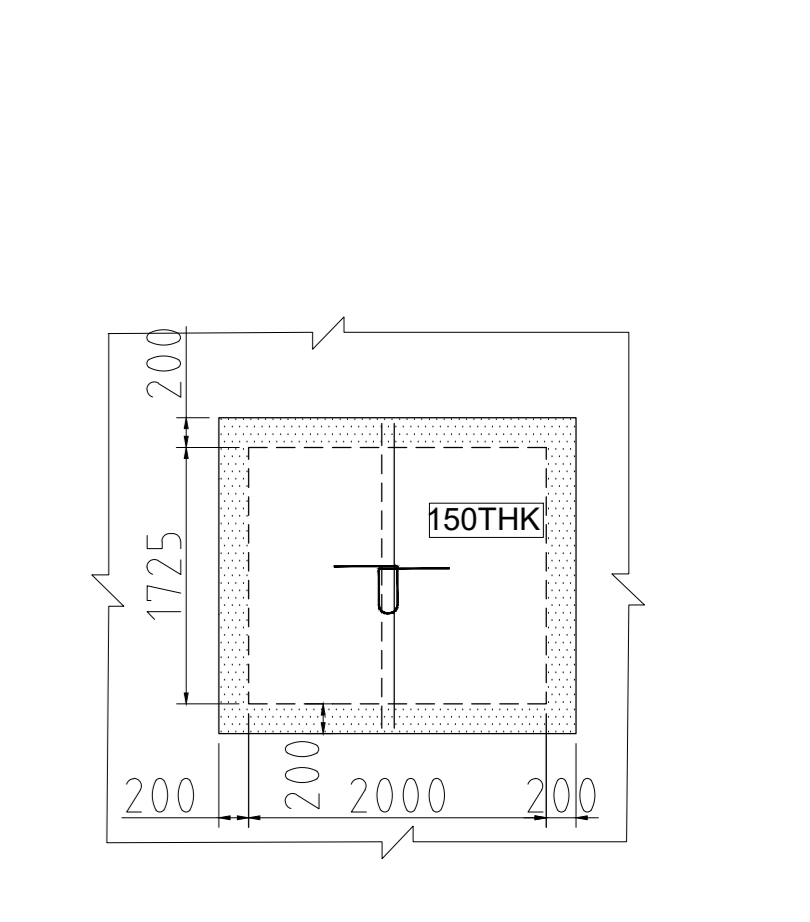
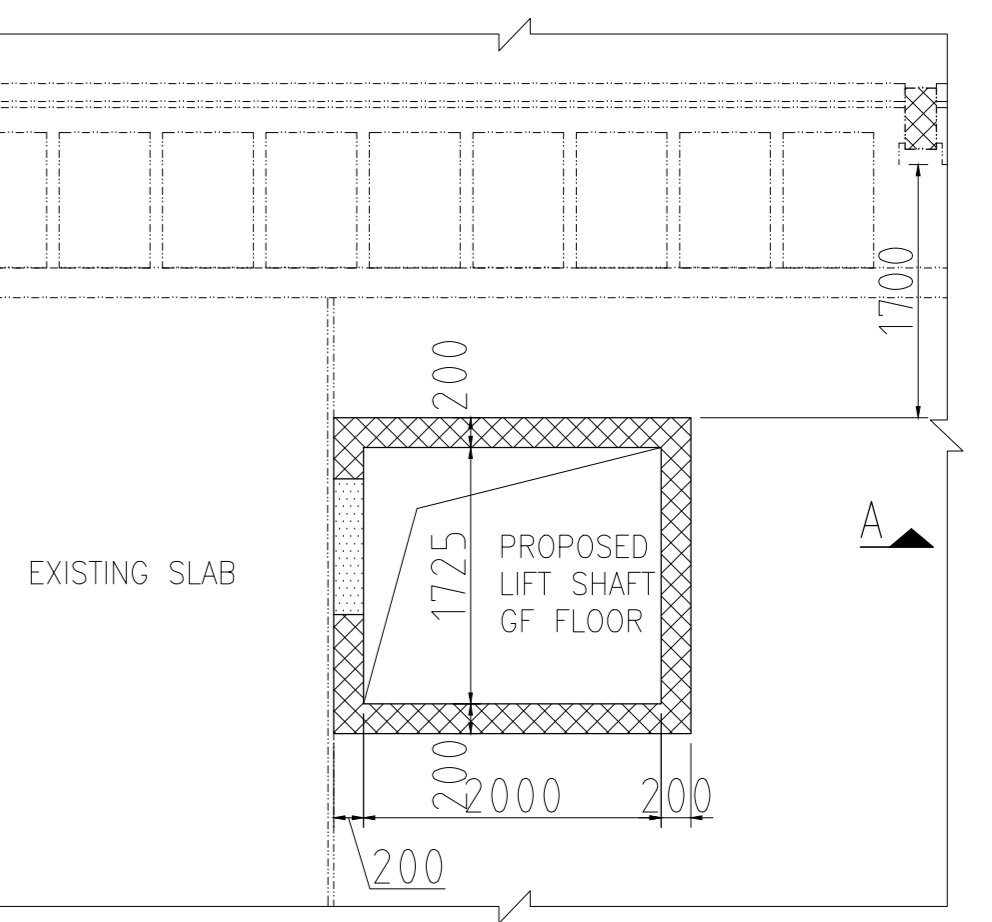
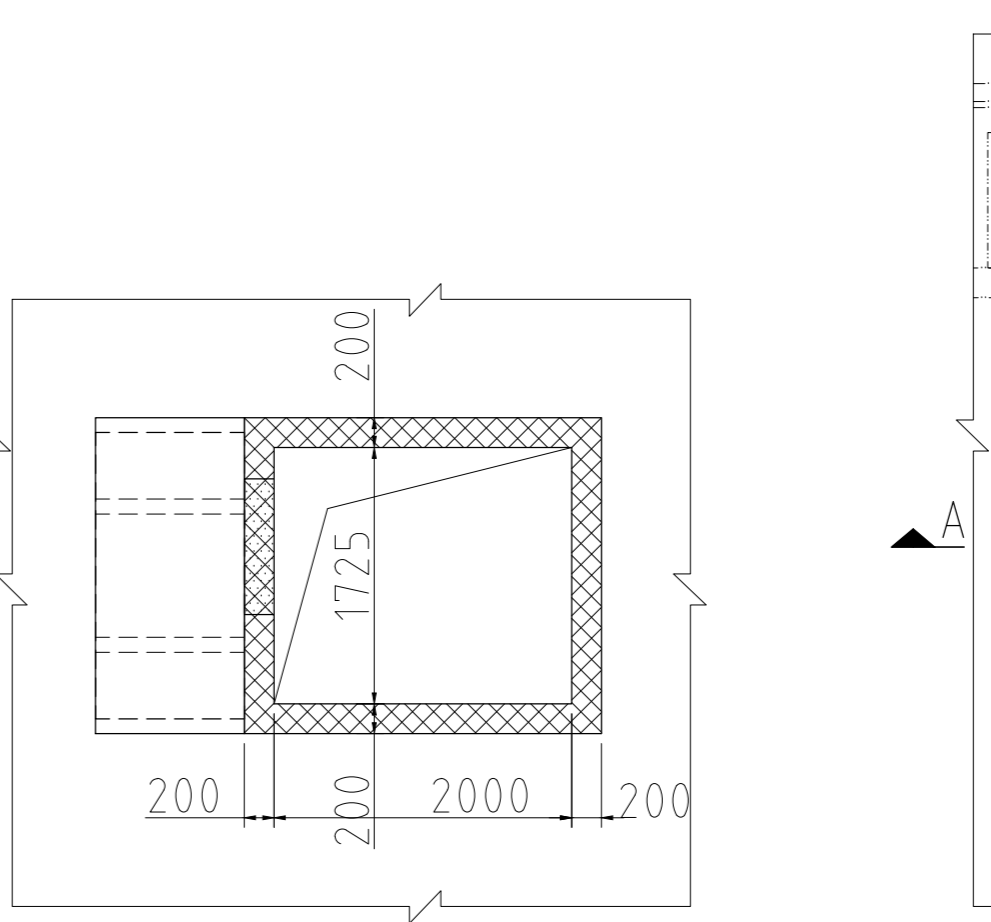
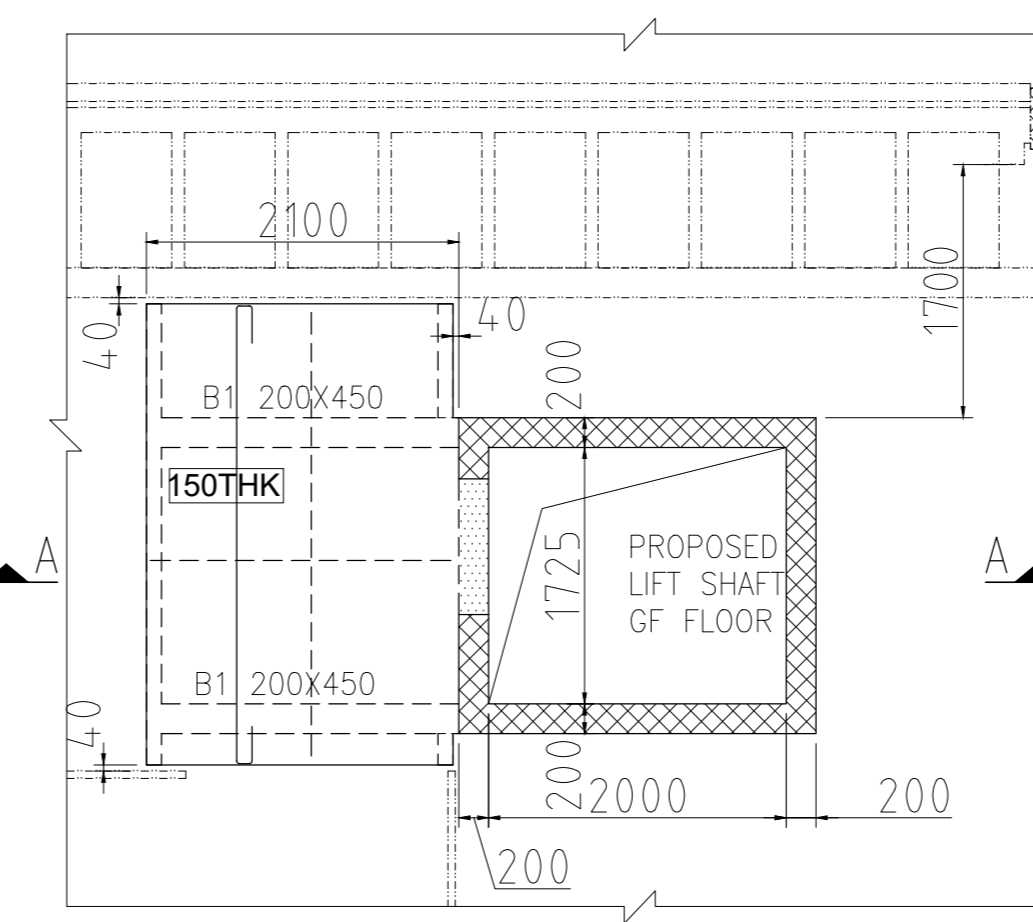
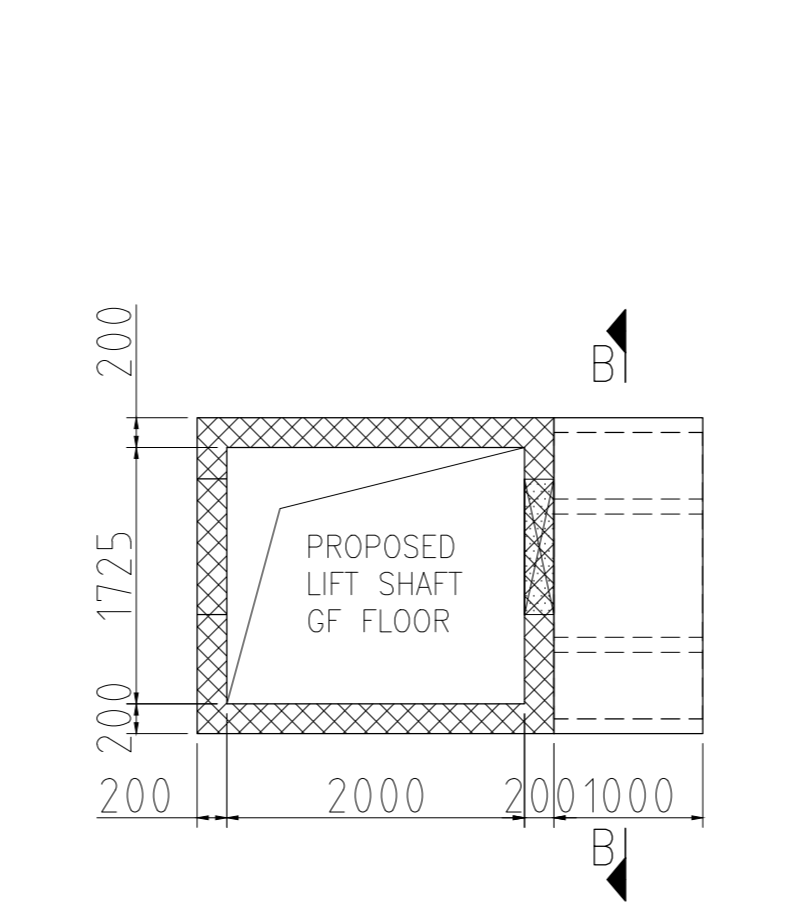
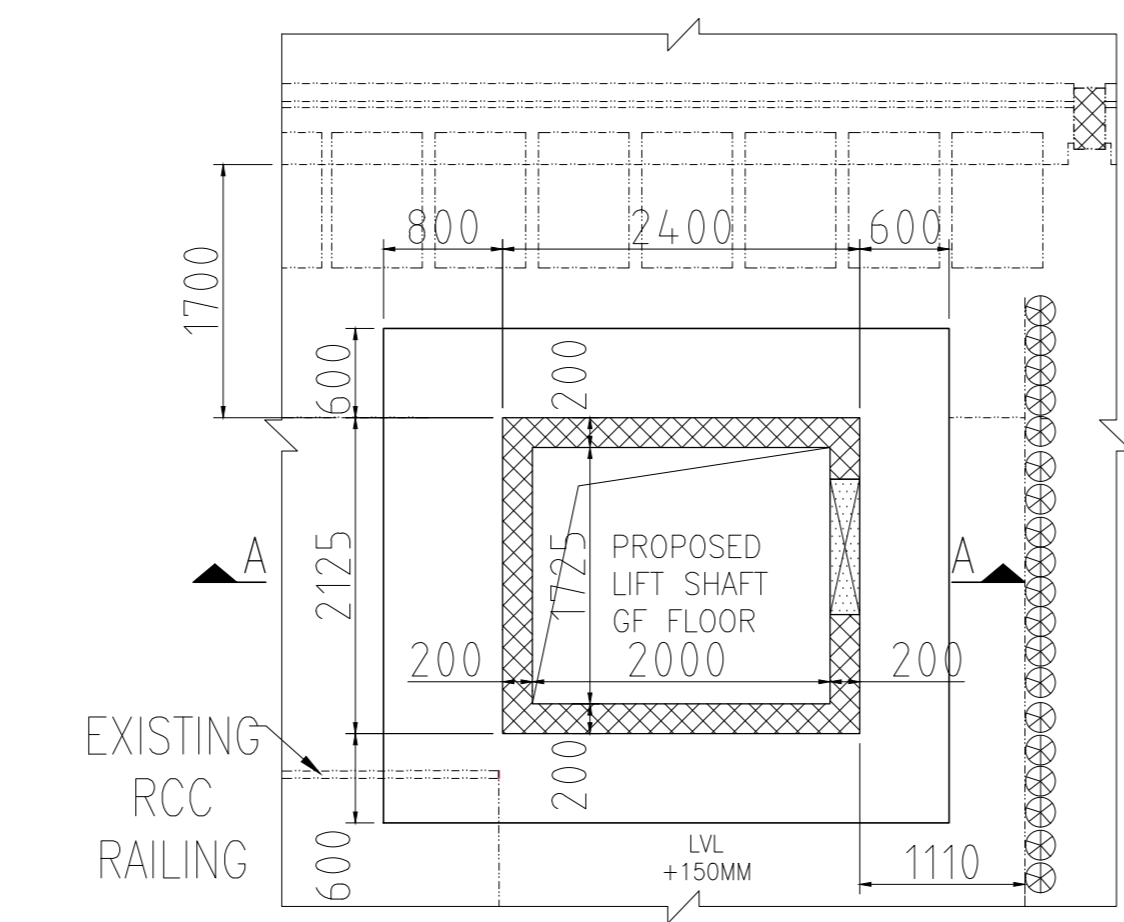
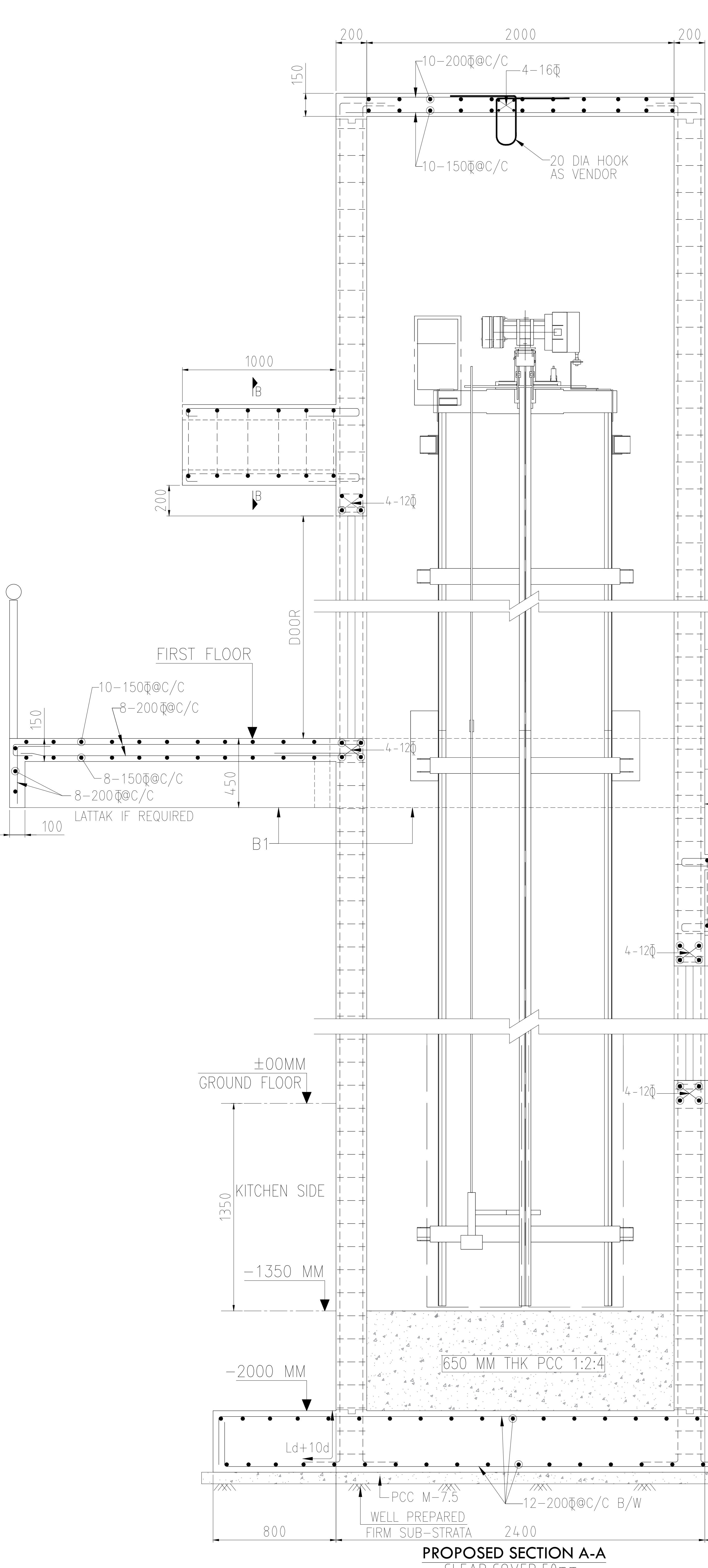


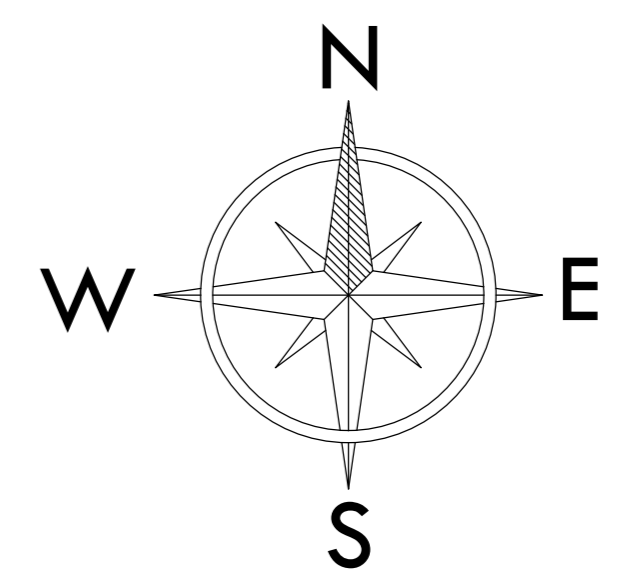
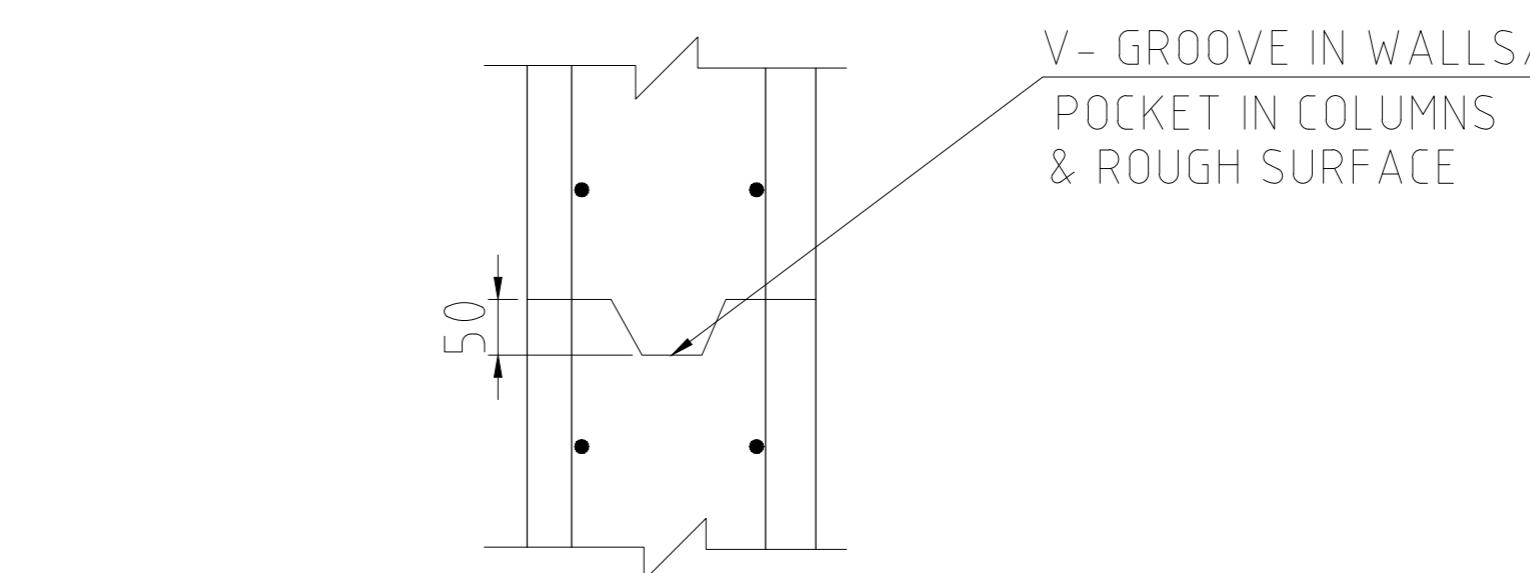
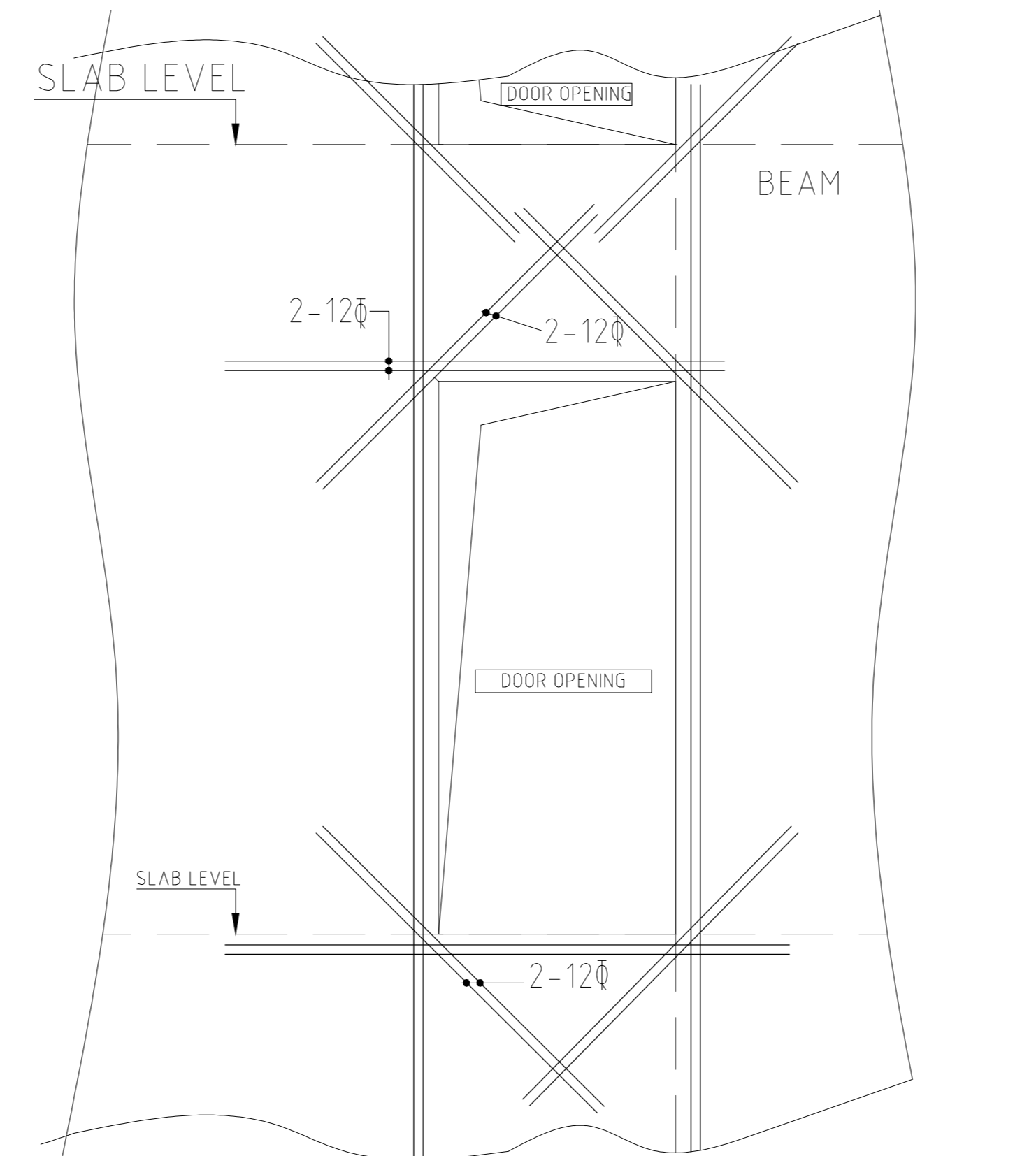
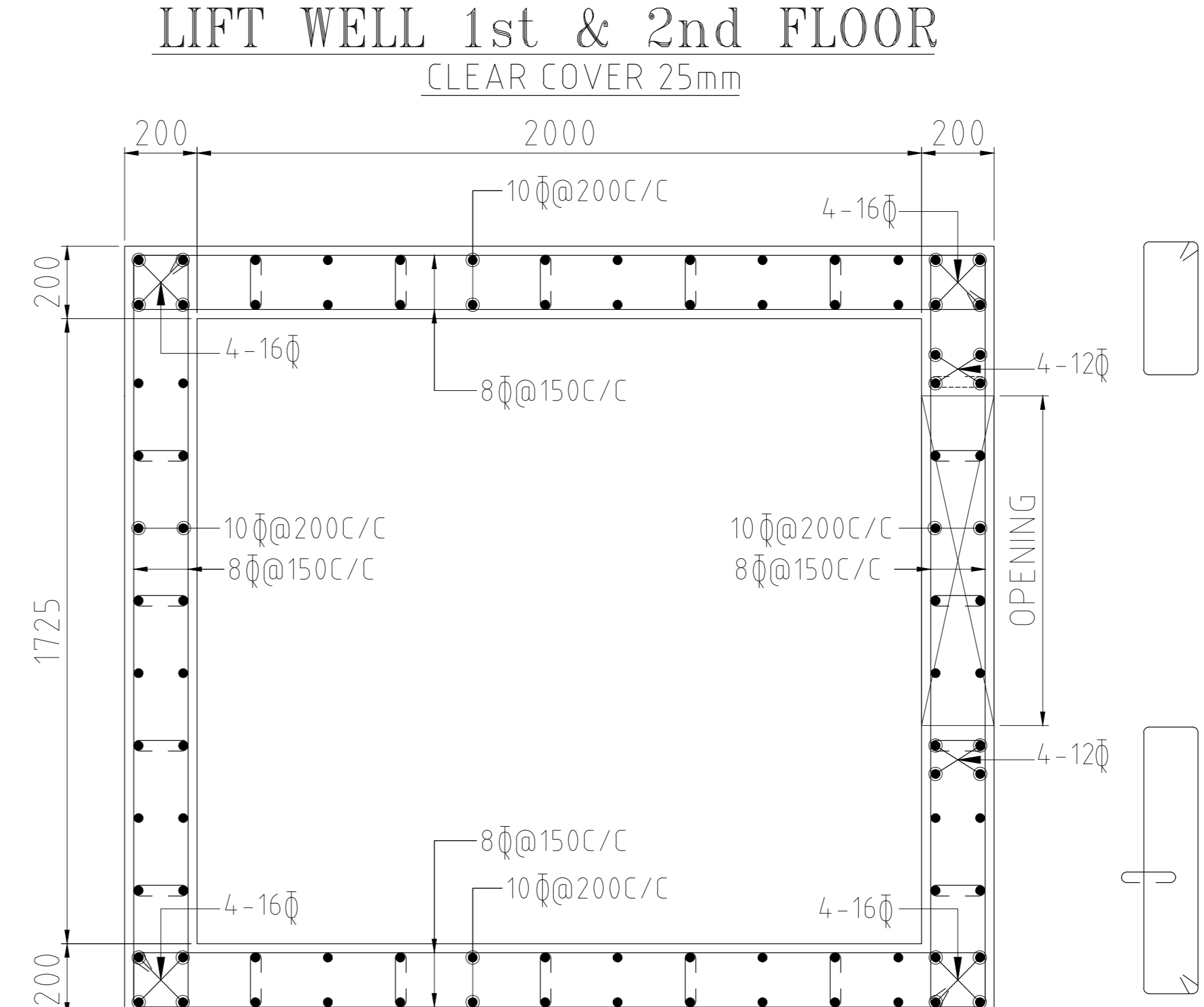
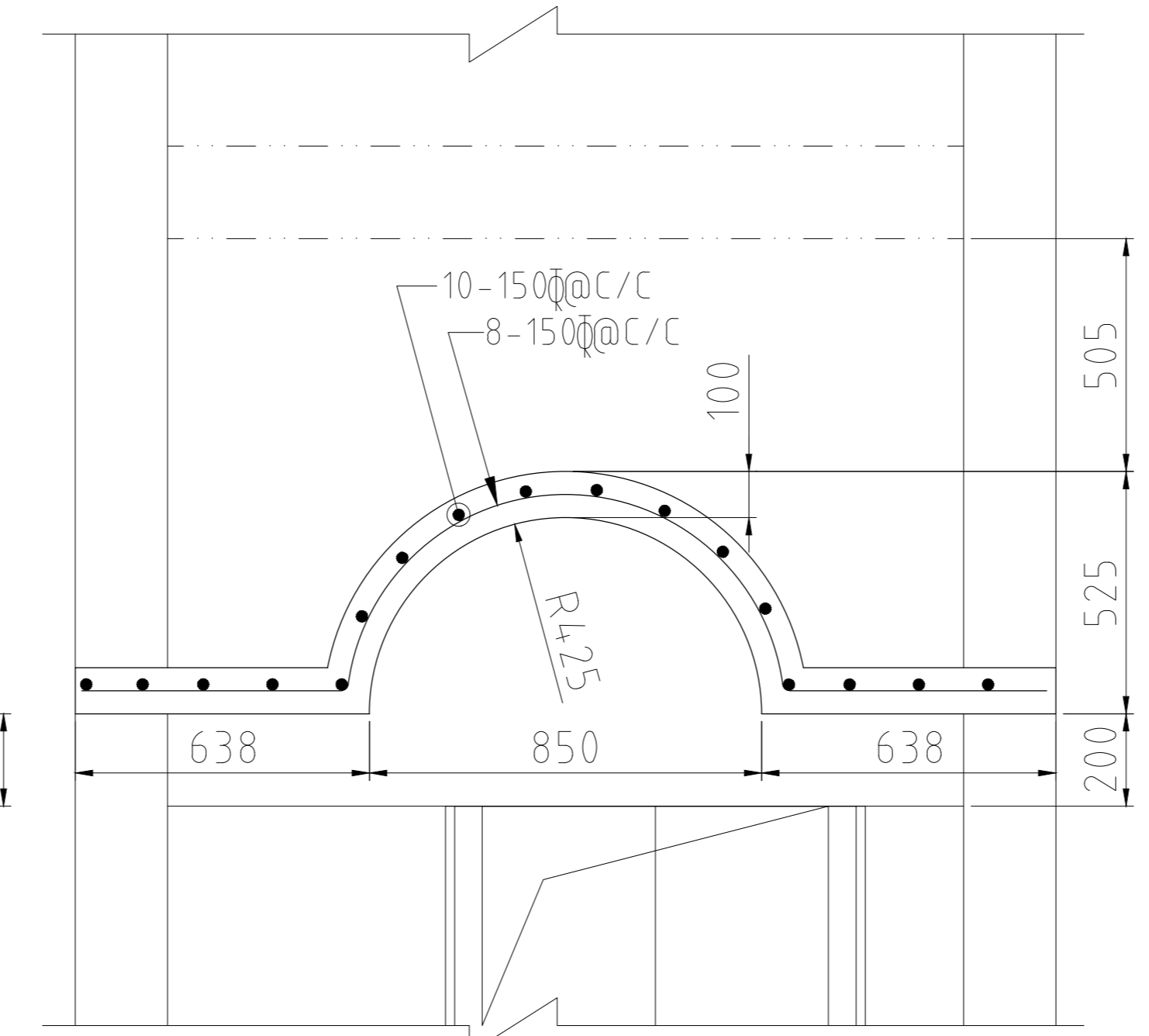
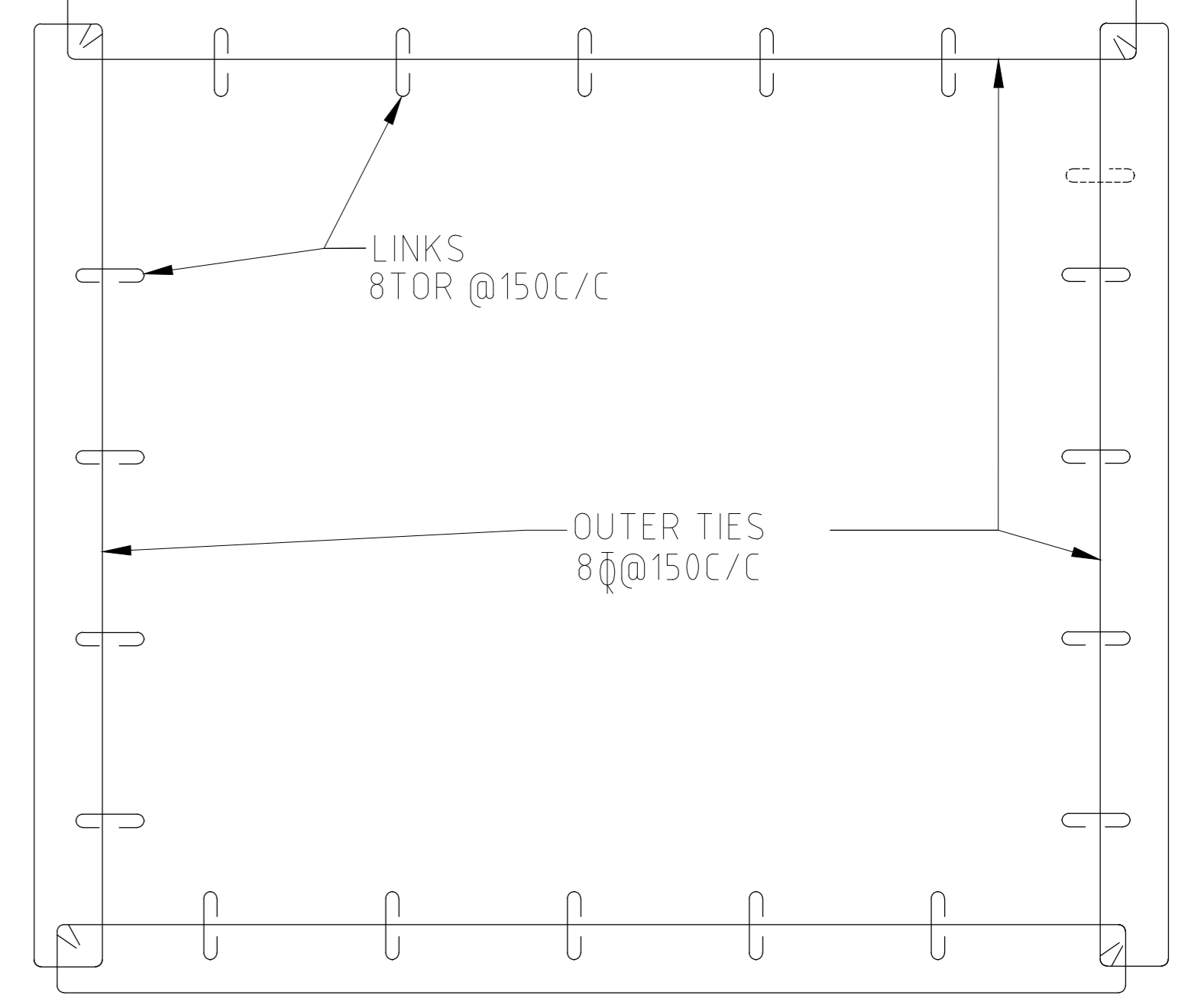
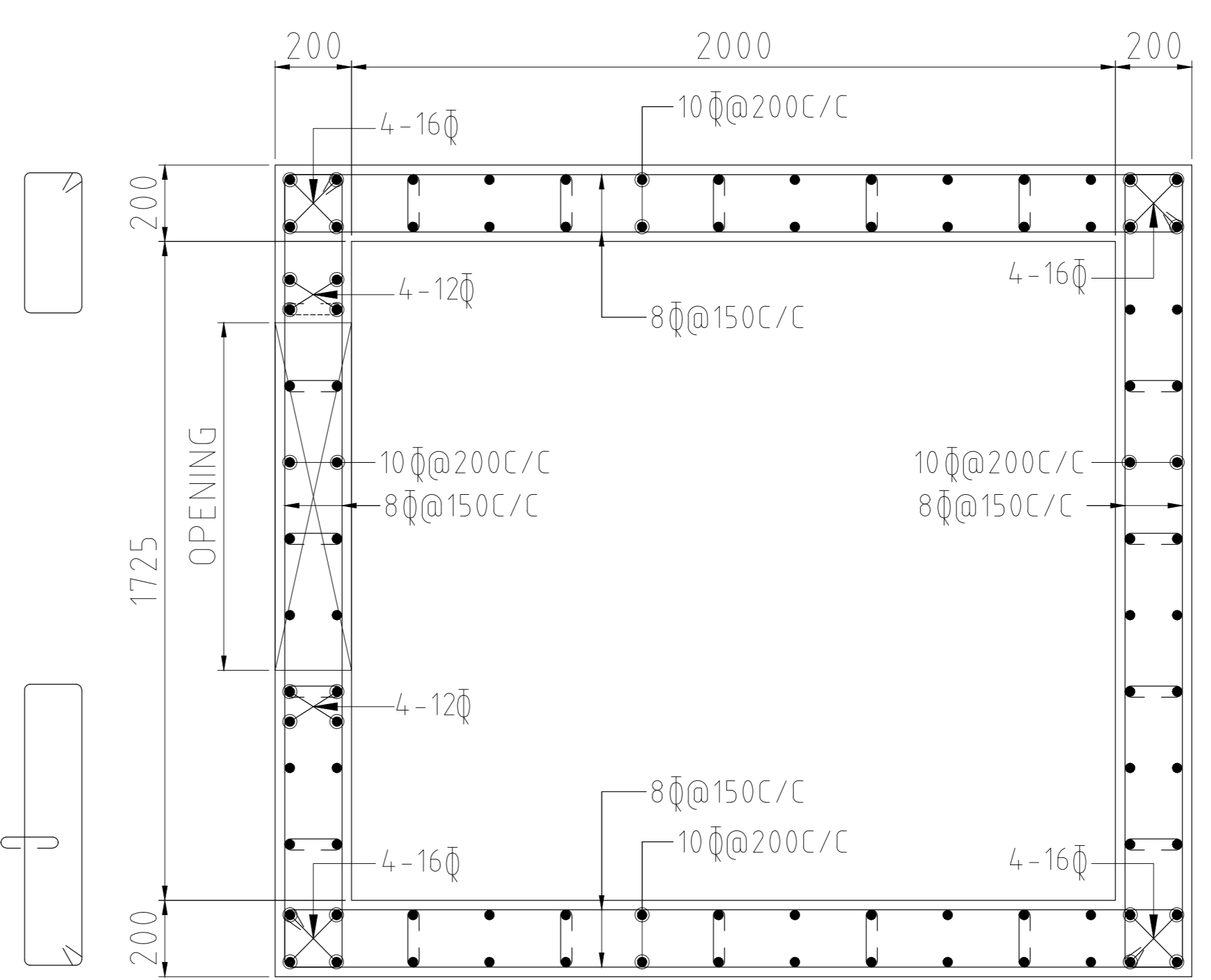
ANCHOR /L-BEND ALL BEAMS BARS INCLUDING EXTRA TOP BARS AT END COLUMN AS PER DUCTILE DETAILS & PROVIDE CAMBER L/350 FOR ALL LARGE SPANS.



PL. READ THIS TABLE FOR LAP & ANCHORAGE LENGTH OF BARS


TABLE NO. 1. (Ld)	
LAP LENGTH	Ld (d = DIA OF BAR)
MIX.	M25
32 TOR	1570
28 TOR	1380
25 TOR	1230
20 TOR	980
16 TOR	790
12 TOR	590
10 TOR	500
8 TOR	400

(UNLESS NOTED OTHERWISE)



DO NOT SCALE. IF IN DOUBT, PLEASE ASK !

1. THE RESPONSIBILITY OF STRUCTURAL CONSULTANT IS LIMITED TO THE DESIGN AND DETAILING OF STRUCTURAL PART AS PER THE INPUTS PROVIDED AT THE TIME OF DESIGN.
2. THE STRUCTURAL CONSULTANT SHALL NOT BE RESPONSIBLE FOR ANY CONSEQUENCES ARISING DUE TO DEVIATION FROM STRUCTURAL DRGS, IMPROPER QUALITY CONTROL AND ANY MISHAP DURING EXECUTION AT SITE.
3. ALL MATERIALS SHALL EITHER BE TESTED AT AN APPROVED LABORATORY OR MANUFACTURER'S CERTIFICATES OBTAINED AS PER THE REQUIREMENTS OF THE TENDER SPECIFICATIONS.
4. SUPERVISION: IT IS EXCEEDINGLY DIFFICULT AND COSTLY TO ALTER CONCRETE ONCE PLACED. HENCE, CONSTANT AND STRICT SUPERVISION OF ALL THE ITEMS OF CONSTRUCTION IS NECESSARY BY COMPETENT-PERSON DURING THE PROGRESS OF THE WORK, INCLUDING CONTROLLING OF GRADE OF CONCRETE. SUPERVISION IS ALSO OF EXTREME IMPORTANCE TO CHECK THE REINFORCEMENT AND IT'S PLACING & POSITION BEFORE CASTING.
5. CURING OF ALL CONCRETE IS MUST AS PER INDIAN CODES OF PRACTICE.
6. QUALITY ASSURANCE AND GOOD ENGINEERING PRACTICE IS MANDATORY.
7. ALL DETAIL TO BE CO-ORDINATED AND MISSING STRUCTURAL DETAIL IF ANY TO BE OBTAINED / CLARIFIED BEFORE EXECUTION.

SHEET NO.- 01	DRAWING TITLE -	SCALE - 1:50	DATE - 31-03-2026	 KALEIDOSCOPE CONSULTING
	PROJECT TITLE - PROGRAMME BLOCK LIFT R/F DETAILS			